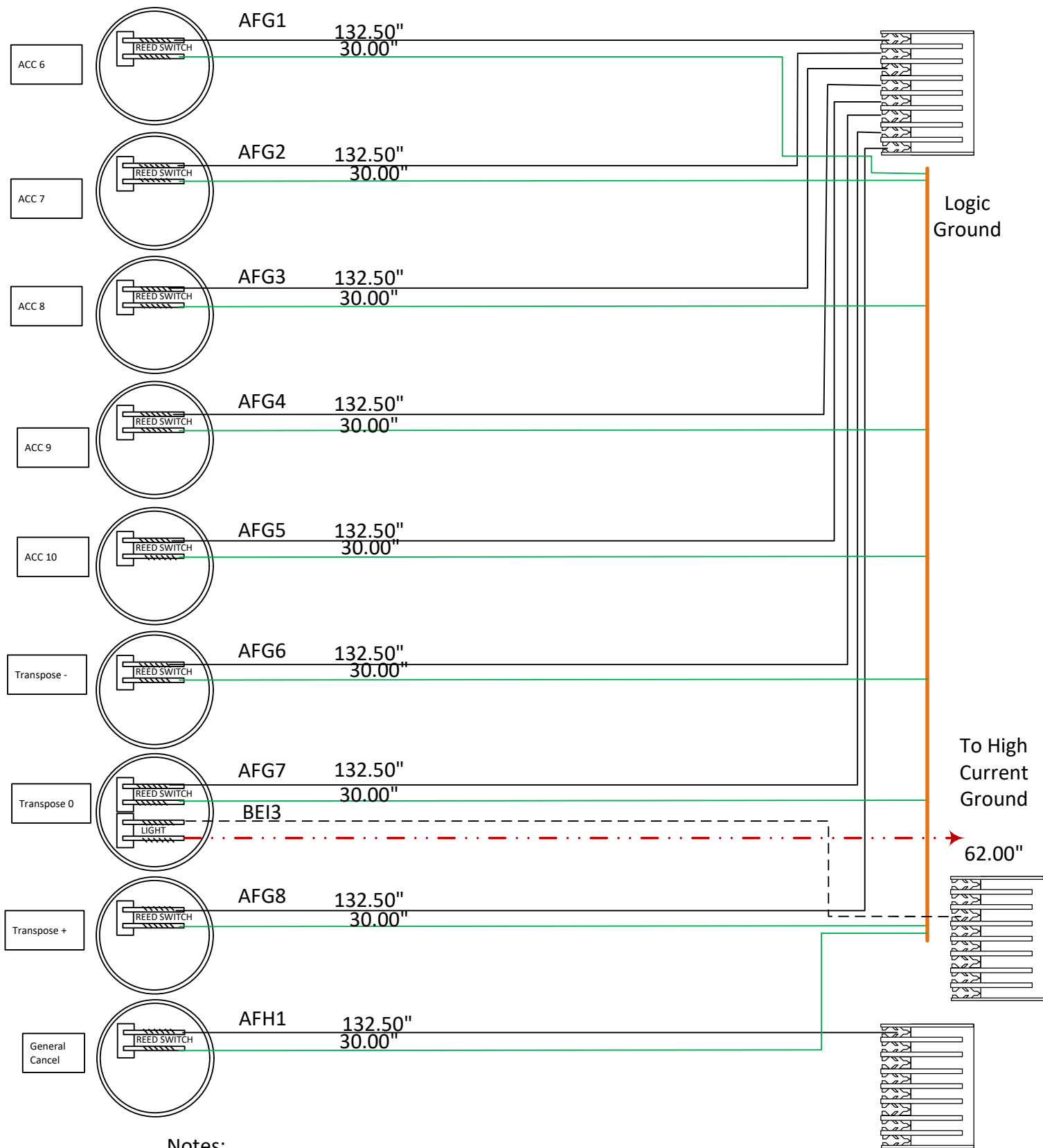


Notes:



Notes:

NOTES
